



CASA

Court Appointed Special Advocates
FOR CHILDREN

Change a Child's Story

Yavapai County CASA Program Newsletter

MARCH 2025

This Issue...



Coordinator's Corner 2-3

Calendars 4-6

Birthdays/Anniversaries 7

Kudos 8

Ask the Coordinator 9

DCS Meet and Greet 10

Book Review 11-12

Nature Ninos 13

Family Treatment Court 14

Court Report Writing Verde 15

ADHD Training 16

Dependency IOI 17

Human Trafficking 18

YCFKF Toy Chest 19

CASAs Connecting 20

Verde Rec Center Pass 21

Book Club 22

Free Virtual Tutoring 23

Wrapped in Love 24

Save the Date 25

FaceBook / Numbers 26

Contact Us 27-28



The Starfish Story

Adapted from "The Starfish Thrower" by Loren C. Eiseley

A young boy was walking along a beach upon which thousands of starfish had been washed up during a terrible storm. When he came to each starfish he would pick it up and throw it back into the ocean. People watched him with amusement. He had been doing this for some time when a man approached him and said, "Little boy, why are you doing this? Look at this beach! You can't save all these starfish. You can't begin to make a difference!"

The boy seemed crushed, suddenly deflated. But after a few moments, he bent down, picked up another starfish and hurled it as far as he could into the ocean. Then he looked at the man and replied, "Well, I made a difference to that one!"

Thank you, CASAs, for making a difference one kiddo (or more) at a time. We appreciate everything you do!

Coordinators' Corner



Judge Young has asked that CASAs who attend their court hearings via Teams need to make sure to list their names and not their phone numbers. It is difficult to determine who is on Teams when there are several parties involved in the case. Please call the office with any questions.

Congratulations!

to Chris, Tarrise, Stephen, Kim and Donna for completing all the requirements to be a CASA. Here they are being sworn in by Judge Young!



There are still a few 2025 CASA Calendars left. Stop by the office and pick up yours before we run out!



The CASA office has Harkins Theatre tickets! Call the office for more info.



CHILD AND FAMILY TEAM MEETINGS

To receive information about an upcoming CFT with:
CFSS: please email: dawnr@cfssinc.com
Polara Health: please email: whenthecft@polarahealth.com
Spectrum: please email: susans@spectrumhg.org
Please give the clinics 48 hours to reply to your email

Coordinators' Corner



to Julie! We missed you and are so glad to have you in the office, again!!! Thank you to Amber, Jessica and Brie who helped cover while you were gone



**HERITAGE PARK
ZOOLOGICAL
SANCTUARY**



Remember the CASA office has passes to both the Heritage Park Zoological Sanctuary and the Out of Africa Wildlife Park.

Heritage Park Zoo has two new adorable bear cubs! You can help name them -

CLICK HERE



to visit the website and submit an entry for \$1! While you are there you can find out about Spring Break Camp and other exciting activities at the zoo.



Call the CASA office today to reserve one of the passes!



Bravo! to the CASAs who have already completed their 12 hours of training: Jan Lisboa, Janet McDonald, Nancy Taylor and Jo Zutell !!!!



Prescott

MARCH

2025

MON

TUE

WED

THU

FRI

3

4 **FTC
CASA
Presentation
1:30**

5

6

FCRB

7

10

11
Hearings

12 **9:00
CASA
Connecting**

13

FCRB

14

FCRB

17

18 **FTC 2:00**
Hearings

19

20

21

24

25
Hearings

26

27 **Tele-CASA
9:00**

28

31

Prescott

April

2025

MON

TUE

WED

THU

FRI

1 **FTC 2:00**

Hearings

2

3

FCRB

4

7

8
Hearings

9
9:00
CASA
Connecting

10

FCRB

11

FCRB

14

15 **FTC 2:00**
Hearings

16

17

18

21

22
Hearings

23

24
Tele-CASA
9:00

25

28

29
Hearings

30

Verde

March

2025

MON

TUE

WED

THU

FRI

3

4 **FTC
CASA
Presentation
1:30**

5

6

7

10

11

12 **Hearings
Court Report
Writing**

13 **CASA
Connecting
Cottonwood
Library
Dede Ewald**

14

17

18 **FTC 2:00**

19 **Hearings**

20

21

24

25

26

27 **Tele-CASA
9:00**

28

31

*Happy
Birthday*

Nancy Taylor 3/3

**Terri Zammataro
3/5**

Pam Pearsall 3/6

Randy Kalota 3/7

**Patricia Bradford
3/8**

Lorraine West 3/17

Dawn Bachler 3/20

**Debbie Schindler
3/21**

Misty Moss 3/25

Kathy Lucas 3/31

**Debbie Schindler
4 years**

**Randy Kalota
3 years**

**Karen Knecht
3 years**

Greg Byrum 2 years

Ana Bengston 1 year

Frank Foster 1 year

*Happy
Anniversary*

CASA Kudos

Dorie S. for taking her first case – one with 3 siblings!

Chris T. and Tarrise M. for completing their court observation and being sworn in!

Don O. for supporting one case through to adoption and jumping right into the next!

Patricia B. for seeing her case through to adoption

Vicki S. for seeing her case through to reunification and jumping right into a new case

Steve H. for jumping right into his first case with his Co-CASA

Kim N. for taking her first case, a teen in Maricopa County

Kudos to JB for supporting the youth on her two CASA cases as they transition into another level of placement. Thank you for your continuous support during a time of change.

Kudos to Nancy Taylor and Tarrise McCart for taking on a new case with multiple children placed out of the Quad City area.

Kudos to Pam Pearsall for taking on a new child in her current case and working with a Courtesy CASA from Coconino County.

Kudos to ALL of the CASAs who drive many miles and donate many hours to the children and families they serve! We all appreciate you!!

Kudos to Jeni O., Pat S., and Laura P. for recruiting new CASAs!

Kudos to Rose V.N. for taking her first case!

Kudos to Michael E. for taking his first case!

**MEET
GREET**



Have you ever wondered what it is like to work as a DCS Case Manager? Do you have questions about the DCS process? Do you wonder what it takes to become a CASA? Then we have an event for you!

The CASA of Yavapai County office will be hosting a DCS/CASA Meet and Greet event on March 20, 2025, from 12:00 to 2:00.

This event will allow DCS staff and CASAs to network, participate in a facilitated discussion (no questions about cases permitted) and enjoy a fabulous lunch provided by the Yavapai CASA for Kids Foundation. Two such events have been held in the Verde with positive outcomes so we hope you will join us for the first bi-annual Prescott event.

To RSVP or for questions, please contact Amber Martin at 928-771-3165 or amartin@courts.az.gov. When you RSVP please share any questions, you would like included in the facilitated discussion. Hope to see you there!!

MEET & GREET

PRESCOTT DCS & CASA

Supporting relationships between DCS & CASA to create the best outcome for our youth

**MARCH 20, 2025
12:00PM - 2:00PM**

**PRECOTT JUVENILE JUSTICE CENTER
HEARING ROOM**

**RSVP AND SUBMIT ANY DISCUSSION
QUESTIONS TO AMBER MARTIN AT
928-771-3165 OR
AMARTIN@COURTS.AZ.GOV**

**LUNCH PROVIDED BY YAVAPAI
CASA FOR KIDS FOUNDATION**



**ARIZONA
DEPARTMENT
of CHILD SAFETY**



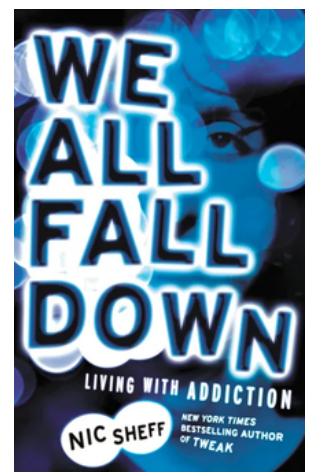
CASA

Court Appointed Special Advocates
FOR CHILDREN



Book Review

BY EHREN FALK, INTERN AND CASA



As CASA's working with families where substance abuse and addiction are present, it is helpful to understand the challenges of addiction. Nic Sheff's books *Tweak: Growing Up on Methamphetamines* and *We All Fall Down: Living With Addiction*, offer a very unique and open perspective of someone actively using illegal substances and the ups and downs of recovery and relapse that so commonly happens with those fighting addiction.

The book, *Tweak*, begins right in the thick of Nic's addiction story. After a recent relapse, Nic details his past starting in childhood and progressively using harder drugs. He also details his failed experiences in treatment and how he made connections in L.A, which allowed him to continue using methamphetamines. As a reader, you can start to see the twisted logic that Nic consistently repeats to himself as he falls further and further into addiction.

His first thought is repetitive and short-sighted when he is high that this is the best life can get. The second is more fearful and trauma-based thought is how he can not deal with his own thoughts, even his own existence if he's not high. Even with this repetitive pattern of always convincing himself as to why it is better to be high, Nic still shows the rational ability to understand what's best for others as long as it doesn't impact him. It's not until he finally makes a decision about his current way of life that he sees the need to change. He is at a high risk for overdose, and he wants something different for himself, so he goes into another recovery program. While in that recovery program, Nic recalls the struggles of detoxing and getting clean, and the twisted logic that he repeated to himself while using drugs disappears but is replaced with a more depressive thought pattern.

Nic begins to experience success through having a job and living a healthy and clean lifestyle with supportive people. He even experiences forgiveness and reconnection with his family. As the reader you start to feel hope for Nic but he continues to report the absence of true satisfaction in his life and he has to keep

busy at all times or he becomes overwhelmed by thoughts of worthlessness and self-loathing. This deep-seated doubt he has about his own life eventually comes to a boil when an ex-girlfriend reaches out to connect, leading Nic to slowly let go of everything he has built for himself and once again he relapses.

The end of *Tweak* and the beginning of *We All Fall Down*, overlap his time at the same recovery home, though *Tweak* jumps ahead and presents a not-so-honest ending, *We All Fall Down* goes into further depth about Nic's attempt at recovery. This time Nic writes how the same driving force, the feeling of inadequacy and a desire to escape his own mind when sober, leads to different vices. Once again finding forms of financial and social success and stability do not lessen the struggles and even a single moment of stress or anxiety can quickly lead to wanting to escape into substances.

By the end of *We All Fall Down*, the reader learns about Nic Sheff's first-hand account of how even though using is technically a choice, there are overwhelming effects that drugs have on the brain and how the addiction feeds off of existing traumas, fears and insecurities and creates vicious thought cycles all revolving around twisted but uncorrectable logic. Ultimately showing how it is not just a simple choice but a never-ending struggle.

As CASAs, Nic Sheff's books can provide us with a clearer understanding and hopefully answer some of the questions we ask ourselves about our cases including; why did they start using? Why do they keep using? Why do they throw everything away just for a high? Why don't they stop? And while we may never get these specific answers, we can at least understand that people with addiction are always fighting against more than we likely will ever comprehend.

I would recommend both books to any adult wanting to get a glimpse into the life of a drug addict and understand their struggles. However, I would caution any potential readers to be prepared for potentially triggering sections including; frequent explicit language, graphic details about drug use, recalling sexual experiences, drug overdose experiences, and acts of theft and other illegal activities. Nic's writing style is very real, choosing to display every emotion including happiness, bliss, anger, depression, anxiety, and denial, in real time and in its most unadulterated form. If you are able to read through it without experiencing any triggers from the content then I would once again highly recommend both books.



2024-2025 Schedule

10:00am - 12:00pm
One Saturday every month

Park Rangers and community partners will lead child-centered play events at a different family friendly park and trail each month. At every Nature Niños event there will be take-home items, a healthy snack, creative nature activities, story time, and little fun lessons on Appreciate AZ Leave No Trace and Healthy Choices. Nature Niños events are led by Park Rangers and community partner staff with a strong understanding of child development and experience leading child-centered outdoor programs.

<p>October 5th Fain Park 2200 N. 5th Street Prescott Valley, AZ 86314</p>	<p>November 2nd Acker Park 421 S. Virginia Street Prescott, AZ 86303</p>	<p>December 7th Starbuck Park 675 Santa Fe Loop Prescott Valley, AZ 86314</p>
<p>January 4th Vista Park 1701 Sarafina Drive Prescott, AZ 86301</p>	<p>February 1st Watson Lake Upper Ramada 3101 Watson Lake Drive Prescott, AZ 86301</p>	<p>March 1st Pioneer Park Brownlow Area 1195 Commerce Drive Prescott, AZ 86305</p>
<p>April 5th Community Nature Center 1980 Williamson Valley Rd Prescott, AZ 86305</p>	<p>April 19th Prescott Earth Day Courthouse Square</p> <p>May 3rd Goldwater Lake Upper 2900 S. Goldwater Lake Road Prescott, AZ 86303</p>	<p>June 7th Green Creek Park 5th Street Prescott, AZ 86301</p>
<p>July 5th Antelope Park 6933 N. Cattletrack Road Prescott Valley, AZ 86314</p>	<p>August 2nd West Granite Creek Splash Pad 350 N. Montezuma Street Prescott, AZ 86301</p>	<p>September 6th Thumb Butte Prescott National Forest 2285 W. Thumb Butte Road Prescott, AZ 86305</p>



These organizations are equal opportunity providers



FAMILY TREATMENT COURT CASA PRESENTATION

Join us in the JJC Jury Room
TUESDAY, MARCH 4
1:30 PM - 5:00 PM

- Learn about the benefits of FTC
- See staffing firsthand
- Attend the hearing to see it all come together



RSVP TO KRISTI NEWMAN AT
knewman@courts.az.gov

Court Report Writing Training Verde

This is a comprehensive court report writing class for all CASA advocates.

All new advocates are highly encouraged to attend this training to learn the requirements for court report writing for Yavapai County.

We will also address your concerns and issues using the dashboard system for writing court reports.

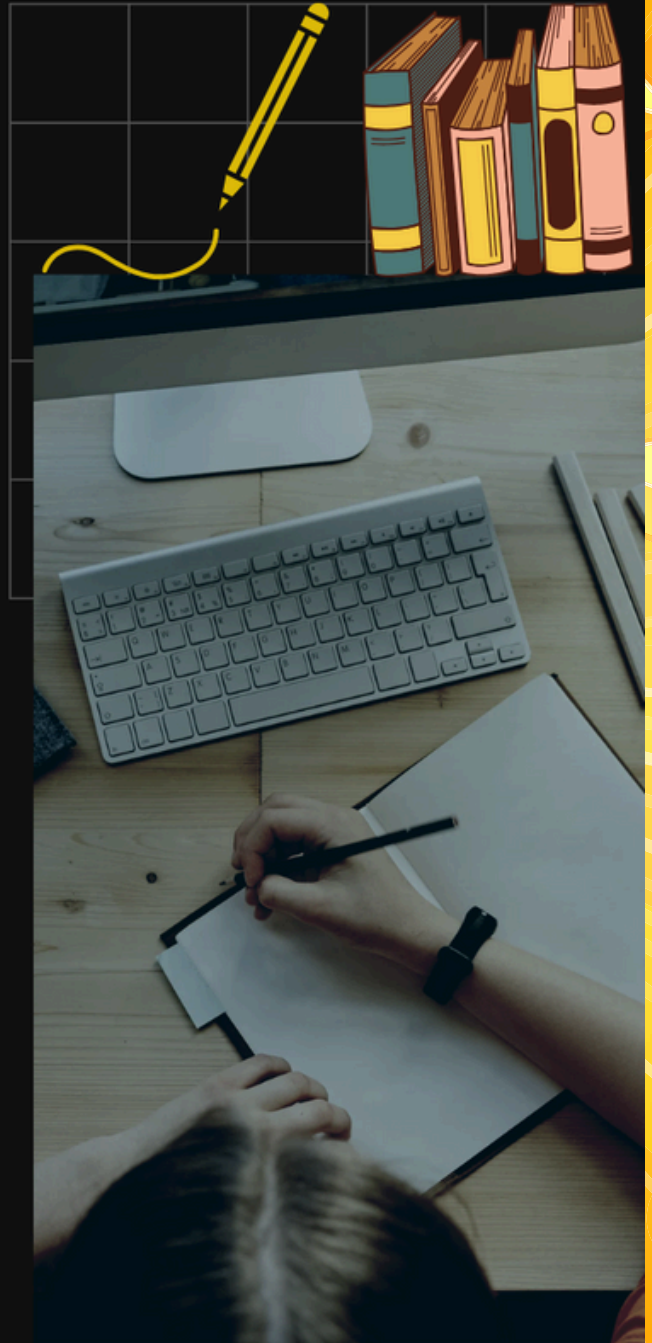
Veteran advocates are encouraged to attend this training as a refresher course and to offer your experience to the discussion.

(Training credit given to all CASA's)

March 12, 2025

9:00am-12:00pm

**Camp Verde Courthouse
2840 N. Commonwealth Dr
Camp Verde
Jury Assembly Room**



wait!

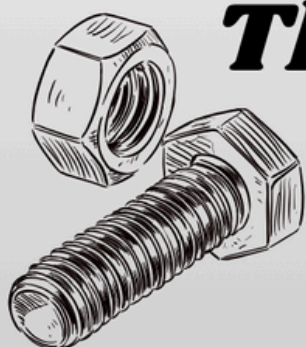


PART 2

Can Be A Really Good Thing?

and

***The Nuts and Bolts of
Homework***



Free Parenting Workshop

Presented by Beth Dunn M.S., L.P.C

Saturday March 29th, 2025

10am-12pm

HUSD District Office

6901 E Panther Path Rm 106

Prescott Valley, AZ

Park under solar panels and enter in the auditorium doors

Call or Email Lisa Krietenstein to reserve your spot today!

lisa.krietenstein@humboldtunified.com or FRC@humboldtunified.com

928-759-5104

Grant Funding for this workshop provided by





DEPENDENCY 101 CLASS - SHARED PARENTING PANEL



Shared parenting refers to the collaboration between an out-of-home caregiver, such as a foster parent or kinship, and the child's birth parent(s). This relationship plays a crucial role in helping the child adjust to their new environment and feel as comfortable as possible during their transition while working to strengthen or maintain a relationship with their parent(s).

The Shared Parenting Panel will consist of foster or kinship placements along with the parent(s) in a Q&A format sharing their experiences of co-parenting while navigating through the dependency process.

*Please join us:
April 10, 2025, 5:15pm to 6:45pm
Juvenile Justice Center
1100 Prescott Lakes Parkway
RSVP to Jen Bahr at 928-554-8903 or
JBahr@courts.az.gov by April 7, 2025
Training certificates provided to
placements who attend*

Childcare will be provided by DCS If needed.

Please indicate the number of children when you RSVP





Yavapai Community

Register Now

HUMAN TRAFFICKING Conference

WHEN: April 12, 2025
Check In 8:00 am
Event 9:00 am - 4:00 pm

WHERE: Prescott Resort - 1500 E. State Route 69, Prescott

COST: \$75
\$50 *Early Bird (register by March 1st)*

At this inaugural event, you will receive exclusive, in-depth, eye-opening information from the experts.



Understand what trafficking is and what it is not



Learn how to best protect our children



Discover ways you can help

*No one under age 13
All children must be accompanied with adult
May include sensitive information*

Brought to you by:



In partnership with Prescott Valley Police Department, Yavapai County Sheriff's Office, Yavapai Family Advocacy Center, and the Yavapai Justice and Mental Health Coalition.





ABOUT THE TOY CHEST



The Toy Chest is a program that provides physical gifts for foster youth to celebrate their birthdays and other milestones. Kinship placements, biological parents, foster parents, CASAs, and DCS caseworkers are able to utilize this program to select gifts for the foster youth in their lives or on their caseloads. There are gifts and toys available for youth ages 0-21 including bikes, stuffed animals, action figures, makeup, gift cards and more!

HOW IT WORKS



When a child has a birthday or a personal achievement, their placements, biological parents, CASAs, or DCS caseworkers can request a visit to the Toy Chest to pick out an appropriate gift for the foster youth. There are Toy Chest location in both Prescott Valley and Cottonwood Arizona at the Yavapai CASA for Kids Foundation Offices.

HOW TO REQUEST A GIFT



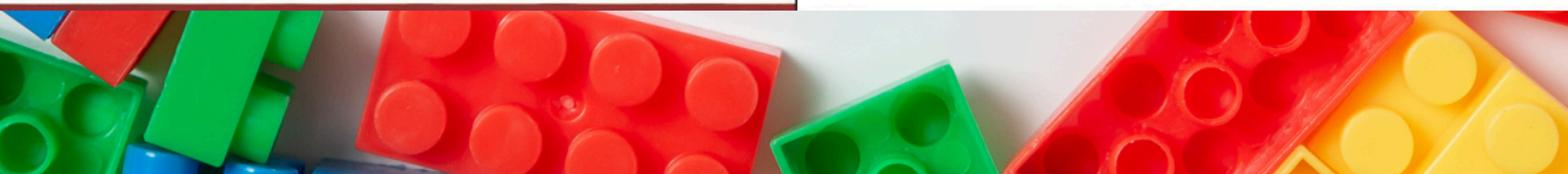
To request a visit to the Toy Chest or get more information about the program go to

YavapaiCASAforKids.org/toy-chest



THE TOY CHEST

Gifts to celebrate birthdays & all the milestones our foster youth achieve.





in person



The link for this meeting will be sent out via email the Tuesday before the meeting.

Please consider attending CASAs Connecting Peer support group to help you be **successful** on your case. Because the work of a CASA is **confidential**, it is important to have a **safe** place to talk about your case. ALL CASAs are **highly encouraged** to attend a CASA support group. This support group provides **lively and informative discussions**. The attendees include a mix of veteran and new CASAs and CASA staff. These discussions can **help you understand system issues, procedures, identify needs and solve unanswered questions**.

“CASA Connecting is a great opportunity for fellow CASAs to come together and share experiences, issues, success, challenges, etc. It is especially useful for new CASAs to become more comfortable with their new role.”

Greg B.
2 year CASA



Your paragraph text

Build a better you *at the Rec*

We know we're not the only gym in town, but we do know we're the best! Your membership to the Cottonwood Recreation Center will give you access to not only our fitness center, but various other amenities you can't get at any other gym.

ABOUT US

Since 2010, we have offered Cottonwood and the surrounding areas a high-quality facility to promote Recreation, Education, and Community. Children and adults alike will all feel welcome when they visit the Cottonwood Recreation Center.

OUR AMENITIES

- ✓ *Multi-Use Gymnasium*
- ✓ *World-Class Fitness Center*
- ✓ *Climbing Rock Wall*
- ✓ *Indoor Pool & Hot Tub*
- ✓ *Aerobics Studio*
- ✓ *Event Hall & Party Room Rental Opportunities*
- ✓ *Game Room*

Why join The Rec?

Being a part of the Cottonwood Recreation Center is more than just being a part of a gym. It is also being a part of the *community*.

Contact Us

(928) 639-3200 📞
crcstaff@cottonwoodaz.gov ✉️
150 S. 6th Street, Cottonwood, AZ 86326 📍

Please contact Jen Bahr for information on how to attend the Cottonwood Rec Center at jbahr@courts.az.gov

Book Clubs



April 23 at 9:30 am
JJC

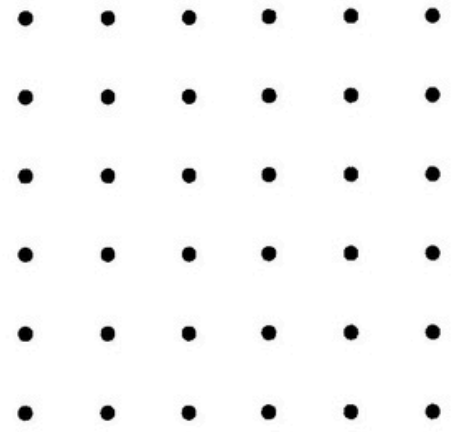
“Regina Calcaterra’s emotionally powerful memoir reveals how she endured a series of foster homes and intermittent homelessness in the shadow of the Hamptons, and how she rose above her past while fighting to keep her brother and three sisters together.”

Books Available

IN THE CASA OFFICE

**OR YOU CAN PICK UP AN AMAZON GIFT CARD FROM THE CASA OFFICE
TO COVER THE COST OF A PAPERBACK COPY, DIGITAL COPY, OR
AUDIBLE COPY OF THE BOOK**

Free Virtual Tutoring and Homework Help



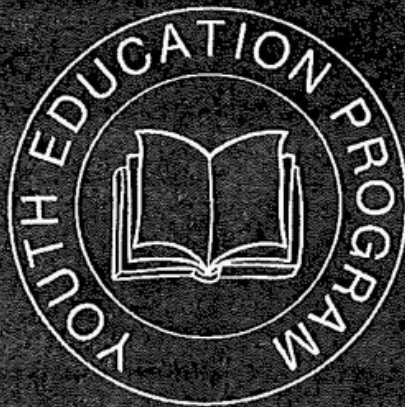
- ASU students are offering free virtual tutoring and homework help for youth.
- Our tutors can help with math, science, English, and many other subjects.
- Sessions are completely free.
- Tutors offer one-on-one sessions.
- We provide a judgment-free space to learn and get extra help.
- All tutors are background-checked.

Start now!



bit.ly/asu_tutor

**Sessions
offered daily
via  zoom**



A Youth Justice Lab Program

ASU

**School of
Criminology and
Criminal Justice
Arizona State
University**



WRAPPED IN LOVE

The Wrapped in Love (WiL) Diaper Bank provides diapers and supplies to struggling families across Yavapai County. Diapers are given to families through their affiliation with a service agency in the community. WiL promotes health and wellness by providing Yavapai County participants with diapers, wipes and referrals to local services. The overarching goal of WiL is to alleviate the cost of diapering and strengthen access to resources for struggling families in Yavapai County. The staff and volunteers at WiL coordinate with community agencies and family programs to ensure that needy families have access to the resources available to assist them in raising healthy children.

Yavapai County CASA Volunteers can request diapers for their foster or kinship families who are struggling to buy diapers.

If you would like to order diapers for your CASA baby's family, please contact your coordinator.



Save
the
Date

CASA Volunteer
Appreciation
Luncheon

April 18th 11:30am
Hassayampa Inn
Prescott, AZ

CASA 

OF YAVAPAI COUNTY



LIKE US!



FOLLOW US!

facebook



February in Yavapai County



6 New Cases filed

10 Children taken into DCS custody

245 Total number of children in DCS Care

81 Number of CASAs

114 Children with a CASA

Kids who still need a CASA

131

Contact Information

www.casaofyavapaicounty.org

Prescott Office

(928) 771-3165

Amber Martin, Dependency Court Manager

email: amartin@courts.az.gov

Jessica Hines, Program Coordinator II

email: jhines@courts.az.gov

Julie Daly, Program Coordinator II

email: jdaly@courts.az.gov

Brie Gallegos, Program Coordinator II

email: bgallegos@courts.az.gov

Kathy McCormick, Mediator

email: kmccormi@courts.az.gov

Evelyn Hurtado, Admin Assistant I

email: ehurtado@courts.az.gov

Robin Fernandez Ames, Support Staff

email: rfernanzesames@courts.az.gov

Kristi Newman (928) 771-3398

Family Treatment Court Coordinator

email: knewman@courts.az.gov

Camp Verde Office

(928) 554-8900

Jen Bahr, Dependency Program Manager II

email: jbahr@courts.az.gov

Laura Gray, Admin Assistant I

email: lagray@courts.az.gov



www.YavapaiCASAforKids.org

P.O. Box 28070

Prescott Valley, AZ 86312

(928)445-0800



Board Members:

Lisa Watts, President

Gretchen Dumas, Vice President

Vacant, Secretary

Luke Lewis, Treasurer

Cheryl Micholofki

Greg Byrum

Barbara Fox-Thomas

Eileen Bond, Emeritus Member

Jayne Schwantes

Yvonne Bartlett, Executive Director

Mona Stephens, Development

Sara Tillman, Grants for Kids Program

Questions about YC4KF?

email:

info@yavapaicasaforkids.org